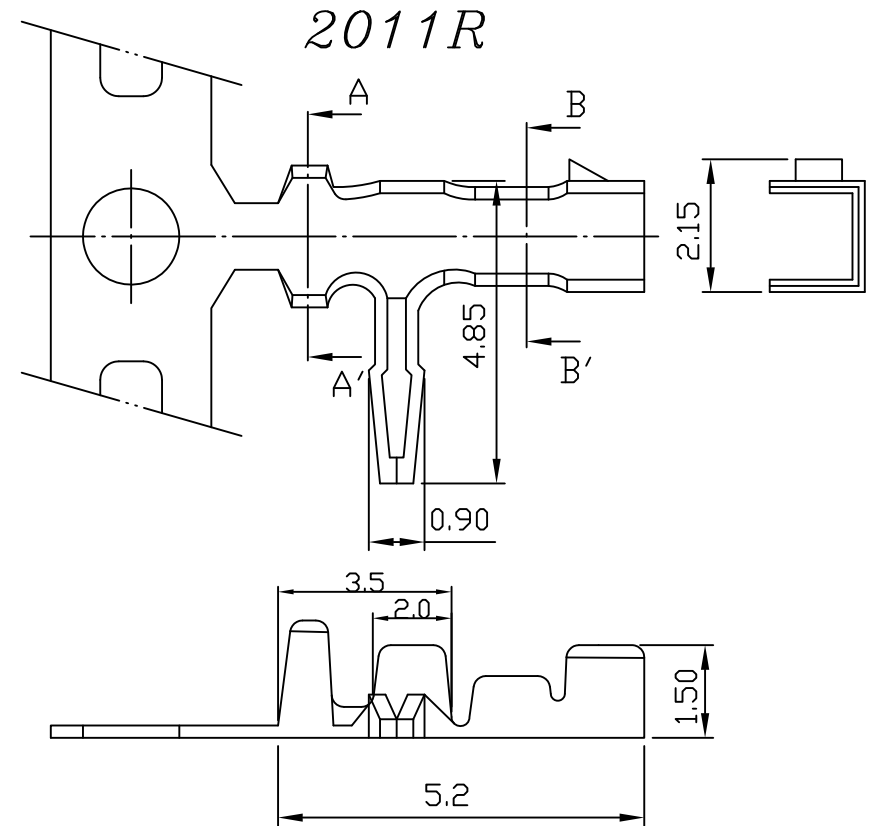
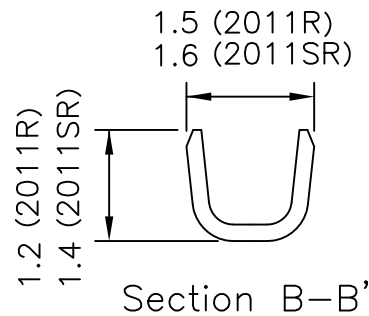
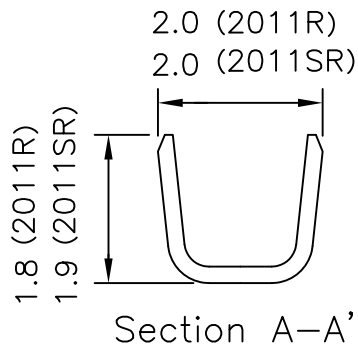
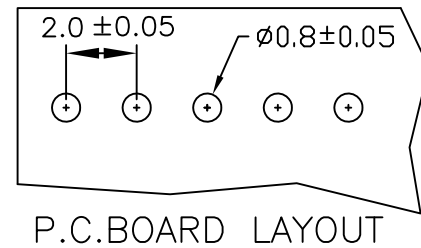


2011R .079" (2.0mm) PITCH BOARD IN TERMINAL

unit:mm

Features:

- * THICKNESS: 0.2mm
- * MAT'L: BRASS TIN PLATED
- * MATES WITH: 2010R SERIES HOUSING
- * TERMINAL SOLDER DIRECTLY TO P.C.B
- * SUITABLE FOR 1.6mm OR 1.2mm THICKNESS P.C.B



PART NO.	WIRE RANGE	INSULATION O.D.	MATERIAL	FINISH	QTY/REEL
2011R	AWG#24-#30	Ø1.4mm MAX	BRASS	Tin-plated	10,000